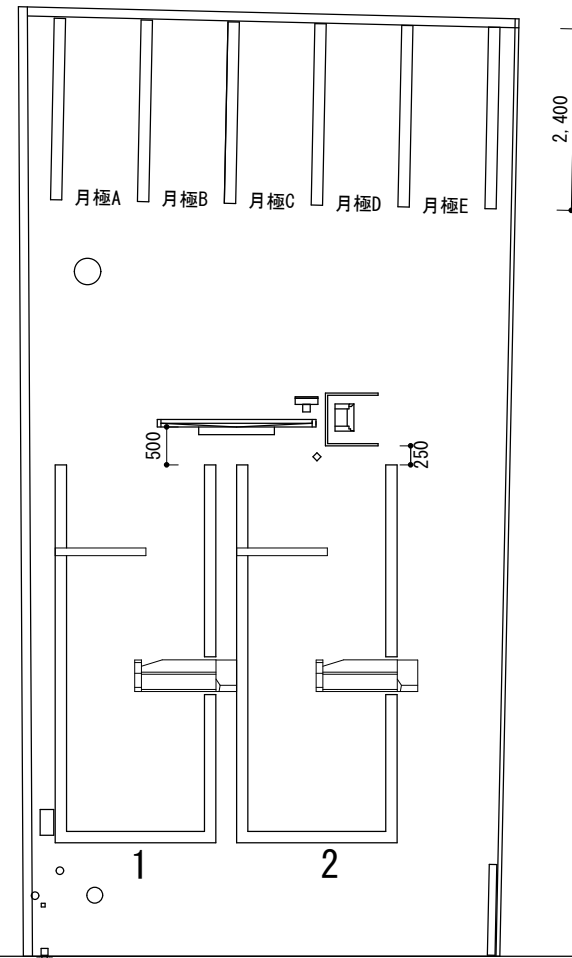


150 1,000 150 1,000 150 1,000 150 1,000 150 1,000 150 200

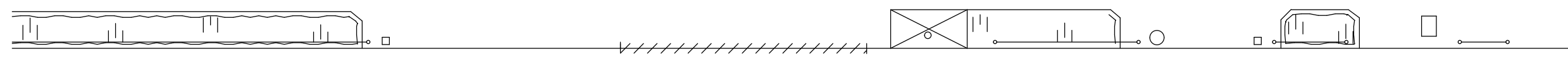


5,000  
1,500

2,400

歩道

800 2,400 2,400



車道